

**PROSELECT®**

**FORCE**

BOILERS



**GAS  
FIRED  
WATER**



**OIL  
FIRED  
WATER**



**GAS  
FIRED  
STEAM**

PROSELECT® Force cast iron boilers are offered exclusively by Ferguson. For the stocking branch location nearest you, please call **(888) 334-0004** or go to **FERGUSON.COM**

# Gas-Fired Cast Iron Water Boilers



## Technical Information

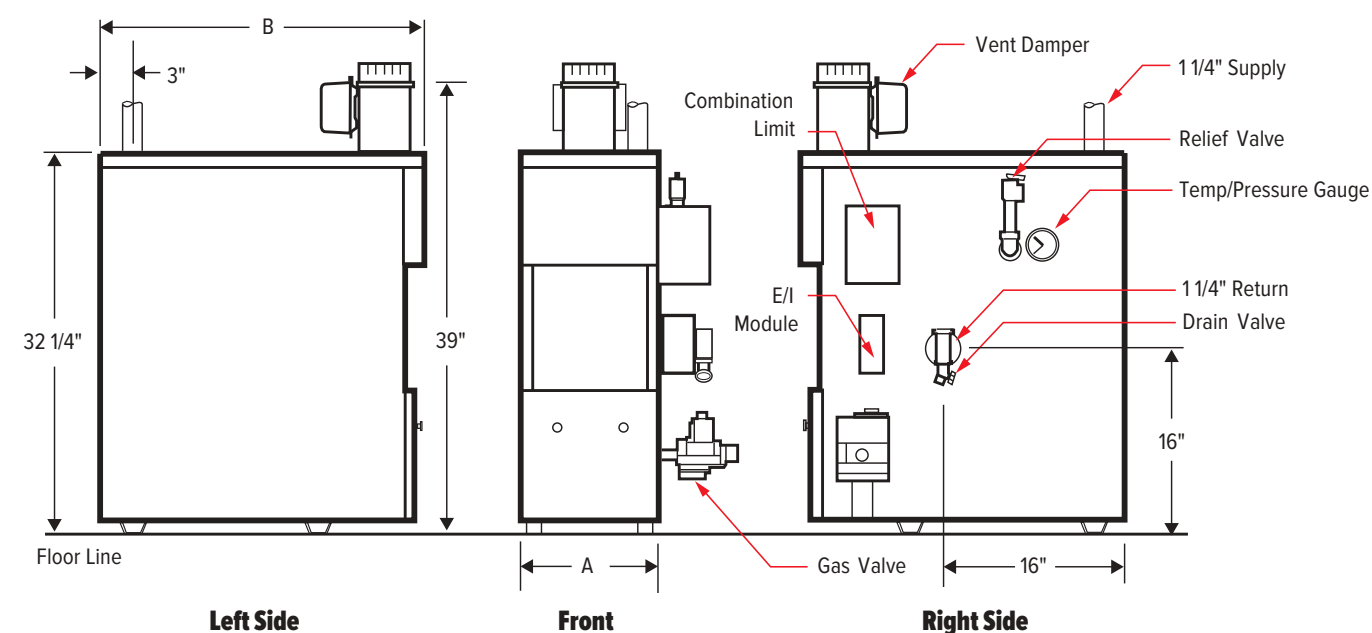
Model	Dimensions (Inches)		AFUE%	Input Rate (MBH)	DOE Heating Capacity (MBH)	Net AHRI (MBH)	Flue Collar Diameter	Water Content (Gallons)	Approx. Shipping Weight (Pounds)
	A	B							
FORCE02	10 1/2"	28"	82	37	30	24	4	2.4	220
FORCE03	11 3/4"	28"	82	62	50	43	4	3.2	270
FORCE04	15"	28"	82	96	78	68	5	4.0	320
FORCE05	18 1/4"	28"	82	130	106	92	6	4.7	370
FORCE06	21 1/2"	28"	82	164	134	117	6	5.5	420
FORCE07	24 3/4"	30"	82	198	164	143	7	6.3	470
FORCE08	28"	30"	82	232	191	166	7	7.0	520
FORCE09	31 1/4"	30"	82	266	218	190	8	7.8	570
FORCE10	34 1/2"	30"	82	299	244	212	8	8.6	620

### NOTES

1. Standard piping/control system is located on right side of boiler
2. Specifications and dimensions are subject to change without notice
3. Net AHRI water ratings shown are based on a piping and pickup allowance of 1.15
4. The manufacturer should be consulted before selecting a boiler for installations having unusual piping and pickup requirements, such as intermittent system operation, extensive piping, etc.

## Standard Features

- PROSELECT Force boilers are offered exclusively by Ferguson
- Reliable cast iron heat exchanger using steel nipples to join sections
- 37,000 - 299,000 BTUs in 9 sizes
- Built-in draft diverter fits in low spaces
- Industry standard tapping locations, provides drop-in replacement in most installations
- Can be installed on combustible floors
- Optional high altitude conversion kit
- Hydrolevel® HydroStat™ 3200 combination high limit/circulator relay control
  - Built-in LWCO
  - Outdoor reset available (not included)
  - Energy-saving thermal targeting software
- Grundfos® Alpha circulator
- Honeywell® 8610 electronic ignition control & Honeywell gas valves
- Automatic vent damper
- Roll-out switch, spill switch, ASME relief valve (30 psi)
- Natural gas build with LP field retrofit kit available
  - Models 02, 04–06 part number: 105526-01
  - Model 03 part number: 105527-01
  - Models 07–10 part number: 105528-01
- Trapezoidal legs with nylon glides permit easy positioning during installation
- Optional high altitude conversion kit
- Limited lifetime warranty on heat exchanger, one year manufacturer's warranty on parts



# Gas-Fired Cast Iron Steam Boiler



## Technical Information

Model	Dimensions (inches)				AFUE%	Input Rate (MBH)	DOE Heating Capacity (MBH)	Net AHRI Steam (MBH)	Steam (Square Feet)	Approx. Shipping Weight (Pounds)
	A	B	C	Flue Collar Diameter						
FORCETEAM03	12 3/4"	28"	40 7/16"	4"	81.9	69	56	42	175	350
FORCETEAM04	16"	28"	40 7/16"	5"	82.0	103	84	63	263	420
FORCETEAM05	19 1/4"	28"	40 7/16"	6"	82.0	138	113	85	354	485
FORCETEAM06	22 1/2"	28"	40 7/16"	6"	82.1	172	142	107	446	555
FORCETEAM07	25 3/4"	30"	40 7/16"	7"	82.1	207	171	128	533	620
FORCETEAM08	29"	30"	40 7/16"	7"	82.2	241	199	149	621	690

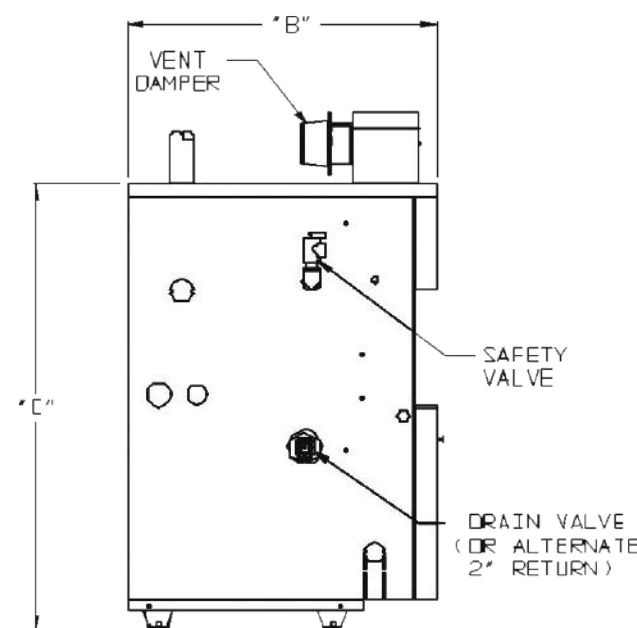
## Standard Features

- Natural gas (LP conversion kit available)
- Electronic ignition
- Built-in draft diverter fits in low spaces
- Cast iron heat exchanger, meets ASME boiler code and pressure vessel code
- Metal section connectors resist chemicals, increase the life of the boiler
- Fully assembled
- Fully packaged
- Insulated jacket
- Pressure limit
- 15 PSI safety valve
- Honeywell gas valve
- Hydrolevel probe-type LWCO
- Steam pressure gauge
- Flame roll out switch
- Blocked vent switch
- Vent damper
- Drain valve
- 10-year limited warranty, 1-year manufacturer's warranty on parts

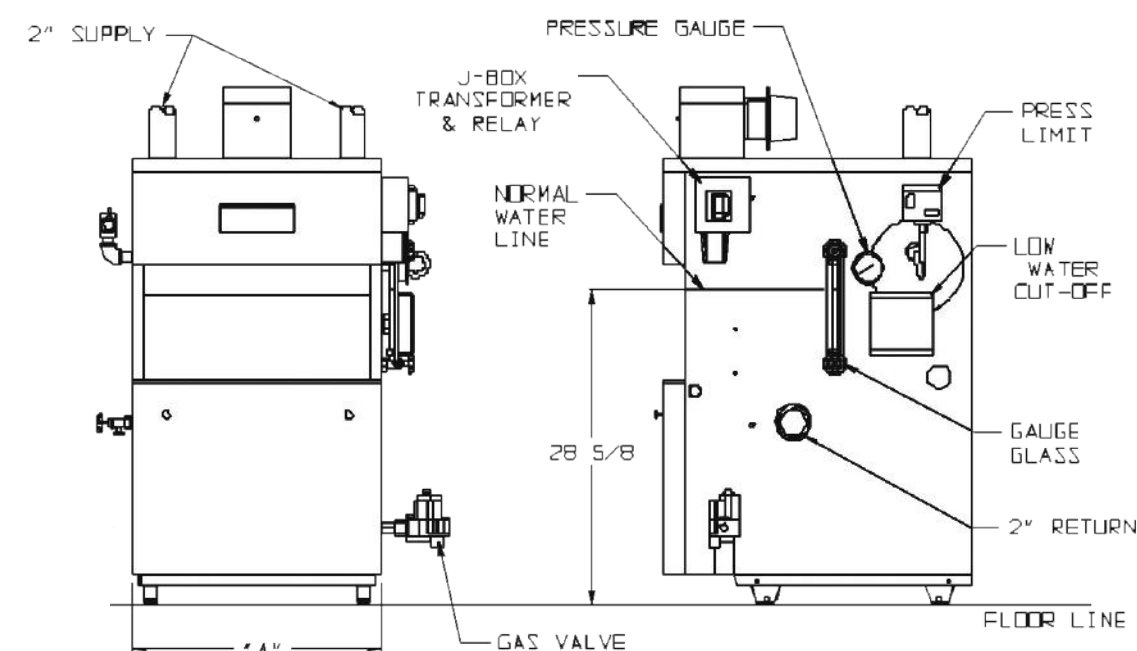
The Net AHRI Steam Ratings shown are based on a piping and pickup allowance of 1.333. The manufacturer should be consulted before selecting a boiler for installations having unusual piping and pickup requirements, such as intermittent system operation, extensive piping systems, etc.



Ratings shown are for installations at sea level and elevations up to 2,000 feet.



LEFT SIDE VIEW



FRONT VIEW

RIGHT SIDE VIEW



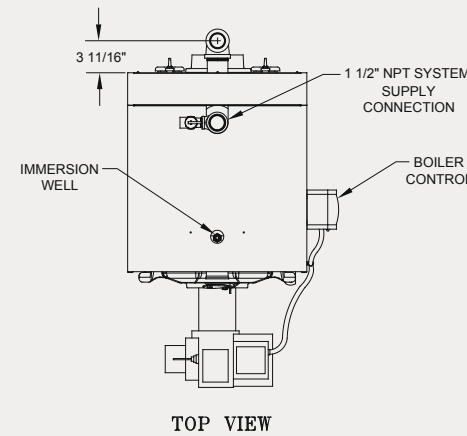


# High Efficiency Cast Iron Oil-Fired Boiler

## Standard Features

- 87% AFUE, ENERGY STAR® certified
- 0.6 to 1.35 GPH in four sizes
- Chimney vented, optional direct vent kit available (sizes 147, 189)
- 3-pass cast iron heat exchanger
- Fully-opening, reversible, cast iron swing door
- Cast iron section connectors
- Fully packaged
- Integrated boiler control system
- 3450 RPM flame retention Beckett oil burner
- Beckett GeniSYS™ primary control
- Return water mixing tube
- Grundfos Alpha circulator
- Electronic ignitor 14KV
- Clean cut fuel pump
- Tridicator
- Relief valve
- Drain valve
- Integrated lifting legs (for level installation)
- Lifetime limited warranty on heat exchanger, 1-year manufacturer's warranty on parts

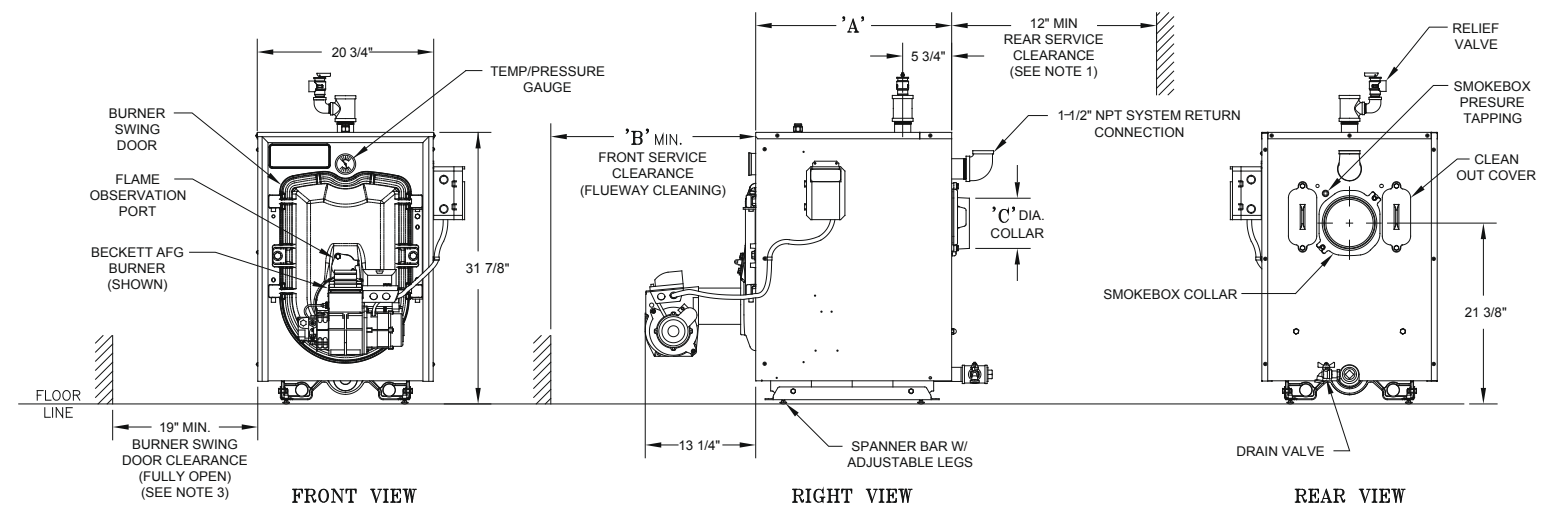
## Technical Information



Model	Min. Chimney Requirements			Direct Vent Required Accessories		
	Round	Rectangle	Height	Kit Part	Beckett NX	Vent Connector
FORCEOIL084	6	8 x 8	15	N/A	N/A	N/A
FORCEOIL115	6	8 x 8	15	N/A	N/A	N/A
FORCEOIL147	6	8 x 8	15	106401-01	106109-03	5"
FORCEOIL189	7	8 x 8	15	106401-01	103369-01	5"

**NOTE** Return fittings and drain valve shipped loose. The manufacturer should be consulted before selecting a boiler for installations having unusual piping and pickup requirements, such as intermittent system operation, extensive piping, etc.

\*Choose appropriate flex oil vent pipe length (all have 5 inch diameter): 100211-02 (5 ft.), 100212-02 (10 ft.), 100213-02 (15 ft.), 100214-02 (20 ft.)



Model	Dimensions (Inches)			AFUE%	Burner Capacity			Net AHRI Ratings (MBH)	Water Content (Gallons)	Heating Transfer Surface Area (Square Feet)	Approximate Shipping Weight (Pounds)
	A	B	C		GPH	MBH	DOE Heating Capacity (MBH)				
FORCEOIL084	17"	24"	5"	87	0.60	84	73	63	7.7	13.29	430
FORCEOIL115	17"	24"	5"	87	0.80	115	100	87	7.7	13.29	430
FORCEOIL147	23"	24"	6"	87	1.05	147	129	112	11.08	20.29	545
FORCEOIL189	29"	30"	6"	87	1.35	189	166	144	14.46	27.29	686

The Net AHRI Ratings shown are based on a piping and pickup allowance of 1.15.



